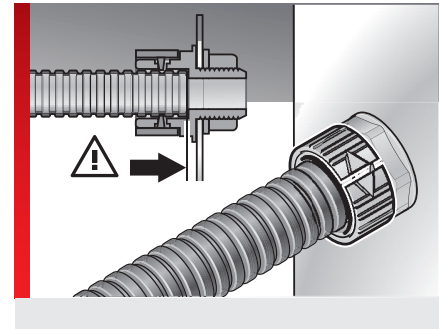
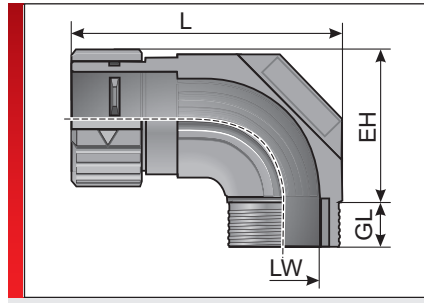


Type WSV 90° (angle plug-in fitting)



Conduit fitting m-fix

PRODUCT INFORMATION

The WSV conduit fittings are made of specially modified polyamide 6. The materials are halogen, phosphor and cadmium-free. The affordable MSV conduit fittings feature the following advantages:

- No parts can get lost, delivered completely assembled
- Cost reduction through simple assembly work, insert conduit and done

- Simple opening mechanism
- Tightness of IP 54 for static and dynamic application, IP 65 with additional mounting of an O-ring

Specification:

- Germanischer Lloyd Type Approval
- EN 45545-2:2013 3x HL3

SPECIFICATIONS

- Fitting: Mod. polyamide PA 6
- IP 54
IP 65 with sealing ring DR-NBR
- 40 – 110 °C transient / short term
140 °C
- V0 self-extinguishing

Type	Order No.	Colour	Connecting thread	Suitable for Murrflex	Pack qty.
Metric thread					
WSV-M16x1.5/9	83605050	Black	M16x1,5	M12/P09	50
WSV-M20x1.5/11	83605052	Black	M20x1.5	M16/P11	50
WSV-M25x1.5/16	83605054	Black	M25x1.5	M20/P16(S)	50
WSV-M32x1.5/21	83605056	Black	M32x1.5	M25/P21(S)	25
WSV-M40x1.5/29	83605058	Black	M40x1.5	M32/P29(S)	25
WSV-M50x1.5/36	83605060	Black	M50x1.5	M40/P36(S)	10
WSV-M63x1.5/48	83605062	Black	M63x1.5	M50/P48(S)	10
Grey variants					
WSV-M16x1.5/9	83605010	Grey	M16x1,5	M12/P09	50
WSV-M20x1.5/11	83605012	Grey	M20x1.5	M16/P11	50
WSV-M25x1.5/16	83605014	Grey	M25x1.5	M20/P16(S)	50
WSV-M32x1.5/21	83605016	Grey	M32x1.5	M25/P21(S)	25
WSV-M40x1.5/29	83605018	Grey	M40x1.5	M32/P29(S)	25
WSV-M50x1.5/36	83605020	Grey	M50x1.5	M40/P36(S)	10
WSV-M63x1.5/48	83605022	Grey	M63x1.5	M50/P48(S)	10
Pg threads					
WSV-Pg 09	83601450	Black	Pg 09	M12/P09	50
WSV-Pg 11	83601452	Black	Pg 11	M16/P11	50
WSV-Pg 13.5/16	83601454	Black	Pg 13.5	M20/P16(S)	50
WSV-Pg 16	83601456	Black	Pg 16	M20/P16(S)	50
WSV-Pg 21	83601458	Black	Pg 21	M25/P21(S)	25
WSV-Pg 29	83601460	Black	Pg 29	M32/P29(S)	25
WSV-Pg 36	83601462	Black	Pg 36	M40/P36(S)	10

Type WSV 90° (angle plug-in fitting)

Type	Order No.	Colour	Connecting thread	Suitable for Murrflex	Pack qty.
WSV-Pg 48	83601464	Black	Pg 48	M50/P48(S)	10
WSV-Pg 09	83601410	Grey	Pg 09	M12/P09	50
WSV-Pg 11	83601412	Grey	Pg 11	M16/P11	50
WSV-Pg 13.5/16	83601414	Grey	Pg 13.5	M20/P16(S)	50
WSV-Pg 16	83601416	Grey	Pg 16	M20/P16(S)	50
WSV-Pg 21	83601418	Grey	Pg 21	M25/P21(S)	25
WSV-Pg 29	83601420	Grey	Pg 29	M32/P29(S)	25
WSV-Pg 36	83601422	Grey	Pg 36	M40/P36(S)	10
WSV-Pg 48	83601424	Grey	Pg 48	M50/P48(S)	10
NPT thread					
WSV-NPT-3/8"/11	83602052	Black	3/8"	M16/P11	50
WSV-NPT-1/2"/16	83602056	Black	1/2"	M20/P16(S)	50
WSV-NPT-3/4"/21	83602058	Black	3/4"	M25/P21(S)	25
WSV-NPT-1"/29	83602060	Black	1"	M32/P29(S)	25
WSV-NPT-3/8"/11	83602012	Grey	3/8"	M16/P11	50
WSV-NPT-1/2"/16	83602016	Grey	1/2"	M20/P16(S)	50
WSV-NPT-3/4"/21	83602018	Grey	3/4"	M25/P21(S)	25
WSV-NPT-1"/29	83602020	Grey	1"	M32/P29(S)	25

MATERIAL PROPERTIES



Fitting: Mod. polyamide PA 6

MECHANICAL PROPERTIES



Protection class
IP 54
IP 65 with sealing ring DR-NBR

THERMAL PROPERTIES



Temperature / temperature range
-40 – 110 °C transient / short term 140 °C

FIRE BEHAVIOUR



Fire classification
V0 self-extinguishing

Fire properties as per EN 45545-2: 2009

C.I.T. R22 / R23 HL3 = 0,43
LOI R22 / R23 HL3 = 33,8 %
Ds (max.) R23 HL3 63

Type WSV 90° (angle plug-in fitting)

APPROVALS AND OPERATING PERMITS



Railway EU approval



GL approval

TECHNICAL INFORMATION



Halogen-free

CONFORMITY



RoHS (EC Directive 2002/95/EC)

GENERAL INFORMATION



Made in Germany

All details given in our sales material prospectuses and catalogues as well as the information available online are based on our current knowledge of the products described.

The electronic data and files made available by Murrplastik, particularly CAD files are based on our current knowledge of the product described.

A legally binding assurance of certain properties or the suitability for a certain purpose can not be determined from this information.

All information with respect to the chemical and physical properties of Murrplastik products as well as application advice given verbally, in writing or by tests, is given to the best of our knowledge.

This does not free the purchaser of carrying out their own inspections and tests in order to determine the suitability of a product for a specific purpose.

Murrplastik accepts no responsibility for the available information being up-to-date, correct or complete. Neither do we accept responsibility for the quality of this information.

Murrplastik accepts no liability for damage caused as a result of using our products.

Murrplastik reserves the right to make technical changes and improvements through constant further development of products and services.

Our General Terms and Conditions apply.

© Murrplastik Systemtechnik GmbH • proID_65518~20160910~890283~suv_wsv_90